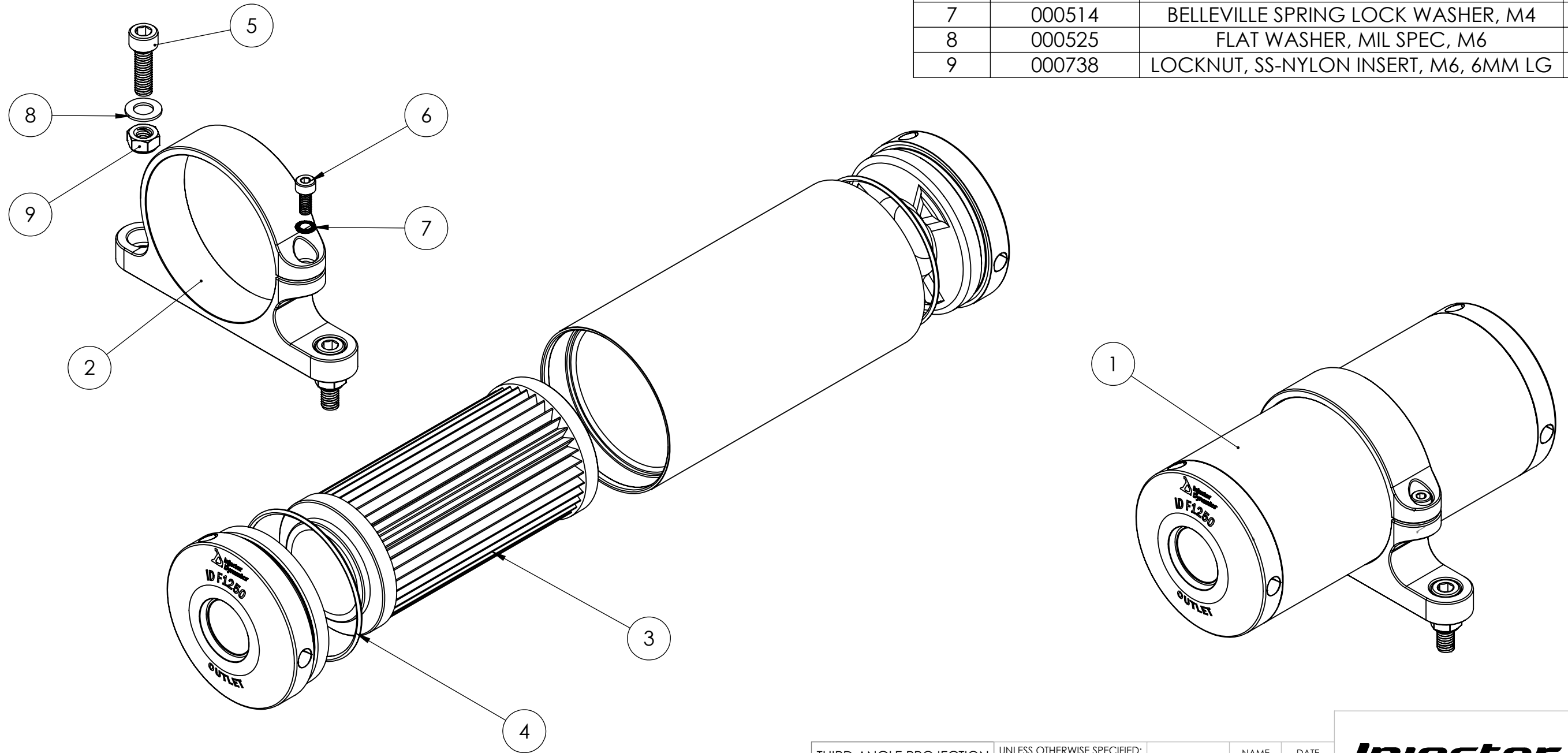


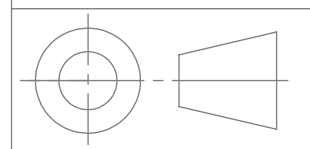
General Notes

Material : Al 6061- T6, Anodized
 Housing weight : 550g (1.21 lb)
 Mount weight : 75g (0.16 lb)

ITEM#	PART#	DESCRIPTION	QTY.
1	000736	ID F1250 HOUSING ASSEMBLY	1
2	000621	ID F1250 MOUNT	1
3	000226-04	MICROGLASS FILTER ELEMENT	1
4	000225	-034 FLUOROSILICONE O RING	2
5	000522	M6X1.0, 20MM	2
6	000520	M4X0.7, 10MM	1
7	000514	BELLEVILLE SPRING LOCK WASHER, M4	1
8	000525	FLAT WASHER, MIL SPEC, M6	2
9	000738	LOCKNUT, SS-NYLON INSERT, M6, 6MM LG	2



THIRD ANGLE PROJECTION



PROPRIETARY AND CONFIDENTIAL
 THE INFORMATION CONTAINED IN THIS DRAWING IS THE SOLE PROPERTY OF YAWPOWER PRODUCTS LLC. ANY REPRODUCTION IN PART OR AS A WHOLE WITHOUT THE WRITTEN PERMISSION OF YAWPOWER PRODUCTS LLC IS PROHIBITED.

UNLESS OTHERWISE SPECIFIED:

DIMENSIONS ARE IN INCHES
 TOLERANCES:
 FRACTIONAL ±
 ANGULAR: MACH ±0.1 BEND ±0.5
 TWO PLACE DECIMAL ±0.01
 THREE PLACE DECIMAL ±0.005

INTERPRET GEOMETRIC TOLERANCING PER: ANSI Y14.5

MATERIAL

FINISH

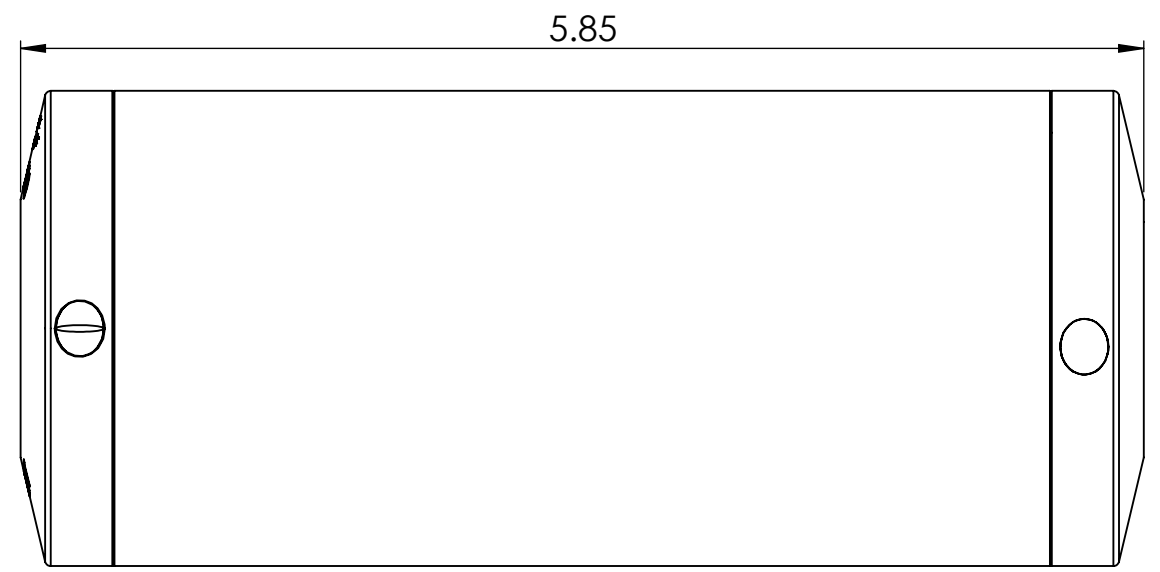
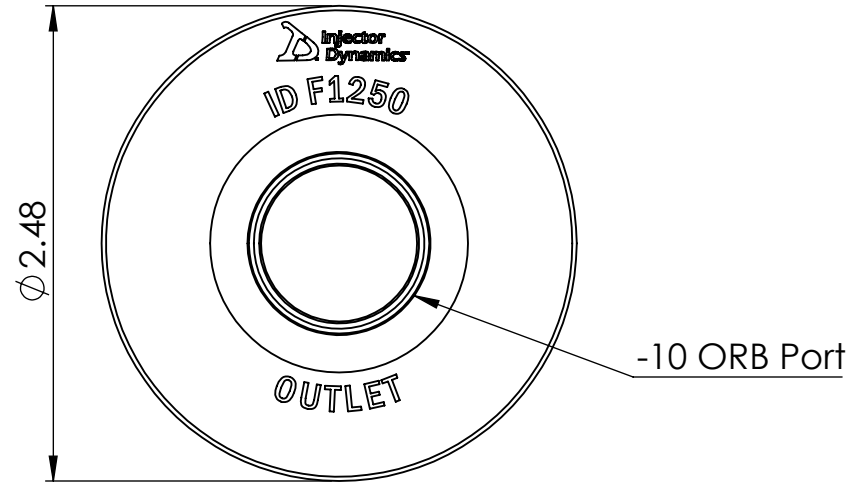
DO NOT SCALE DRAWING

	NAME	DATE
DRAWN	Sunny	02/18/23
APPROVED		
ENG APPR.		
MFG APPR.		
Q.A.		
COMMENTS:		

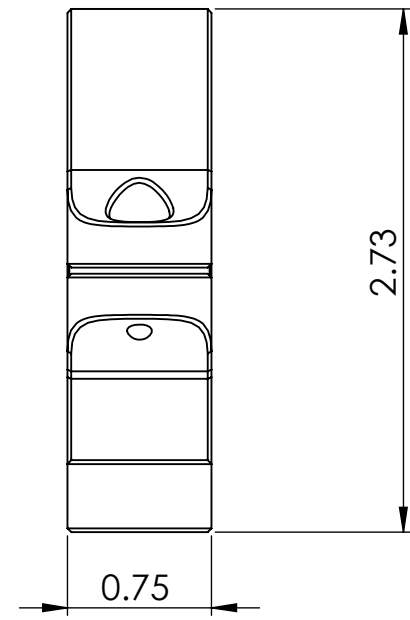
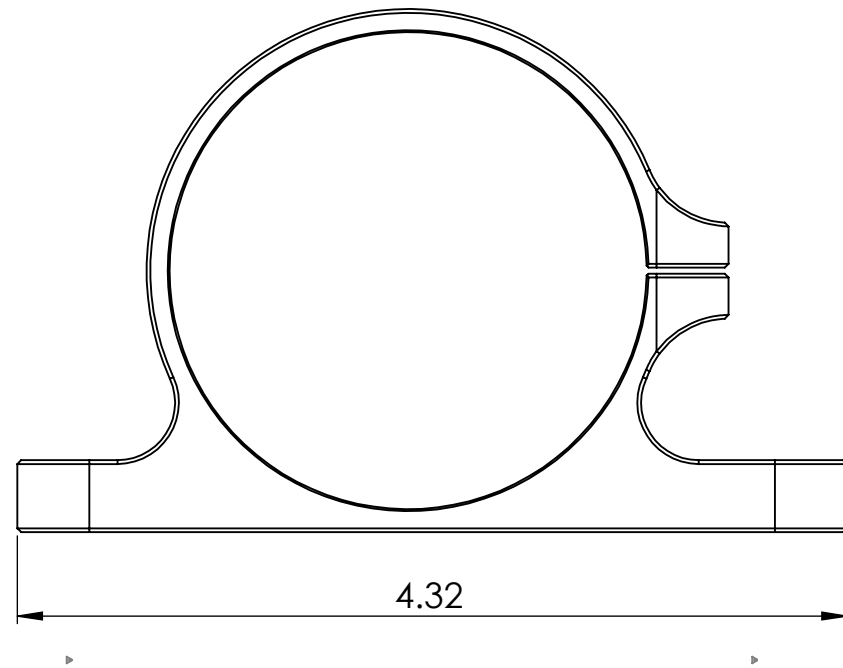


Description: ID F1250 ASY		
SIZE B	Document Number: 000736	REV 01
SCALE: 1:2	WEIGHT:	SHEET 1 OF 2

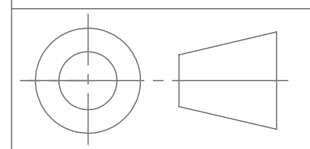
000736 Housing Basic Dimensions



000621 Mount Basic Dimensions



THIRD ANGLE PROJECTION



PROPRIETARY AND CONFIDENTIAL
 THE INFORMATION CONTAINED IN THIS DRAWING IS THE SOLE PROPERTY OF YAWPOWER PRODUCTS LLC. ANY REPRODUCTION IN PART OR AS A WHOLE WITHOUT THE WRITTEN PERMISSION OF YAWPOWER PRODUCTS LLC IS PROHIBITED.

UNLESS OTHERWISE SPECIFIED:

DIMENSIONS ARE IN INCHES
 TOLERANCES:
 FRACTIONAL ±
 ANGULAR: MACH ±0.1 BEND ±0.5
 TWO PLACE DECIMAL ±0.01
 THREE PLACE DECIMAL ±0.005

INTERPRET GEOMETRIC TOLERANCING PER: ANSI Y14.5

MATERIAL

FINISH

DO NOT SCALE DRAWING

NAME DATE

DRAWN Sunny 02/25/23

APPROVED

ENG APPR.

MFG APPR.

Q.A.

COMMENTS:



Description:
ID F1250 ASY

SIZE B	Document Number: 000736	REV 01
------------------	-----------------------------------	------------------

SCALE: 1:2 WEIGHT: SHEET 2 OF 2